



ULR-IN-HWDR-600W

LED INDOOR ELECTRONIC RIBBON LIGHT HARDWIRE DRIVER

TECHNICAL SPECIFICATIONS:

- Output power: 600W
- Output Current: 0~25A
- Output DC Voltage: 24V
- Setup, Rise time: 1000ms, 50ms/230VAC
1000ms, 50ms/115VAC at full load
- Hold up time: 20ms/230VAC 16ms/115VAC at full load
- Leakage Current: <2.0mA / 240VAC
- Efficiency: 87%

FEATURES:

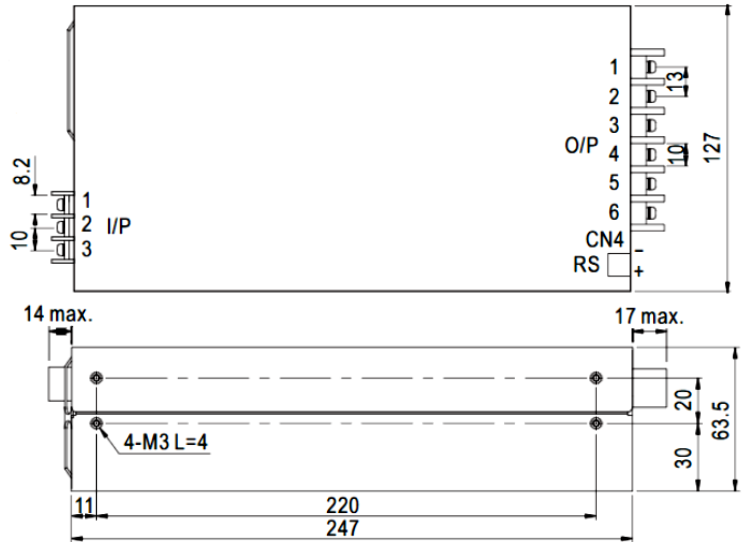
- AC input active surge current limiting
- AC input range selected by switch
- Operating temperature: -4°F~140°F
- Protections: Short circuit, Overload, Over voltage, Over Temperature
- Forced air cooling by built-in DC fan
- High power density 4.9w/in³
- Built-in remote sense function

CERTIFICATIONS:



DIMENSIONS:

9.72"(L) X 5"(W) X 2.5"(H) inch



MODEL	OUTPUT CURRENT	OUTPUT POWER	OUTPUT VOLTAGE
ULR-IN-HWDR-600W	0~25A	600W	24V

SAFETY & EMC:

- Safety Standards: UL60950-1, UL62368-1, EAC TP TC 004, BSMI CNS14336-1, KC K60950-1 approved
- Withstand Voltage: I/P-O/P:3KVAC, I/P-FG:1.5KVAC, O/P-FG:0.5KVAC
- Isolation Resistance: I/P-O/P, I/P-FG, O/P-FG:100M Ohms/500VDC

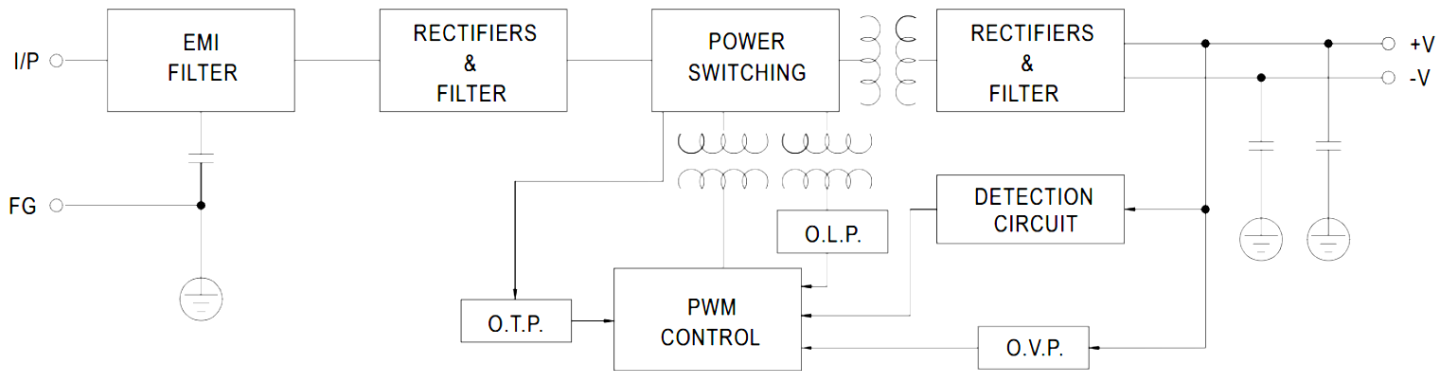


ULR-IN-HWDR-600W

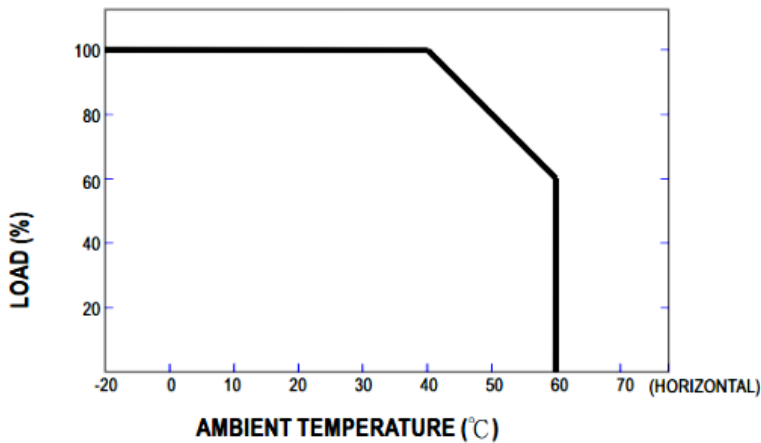
LED INDOOR ELECTRONIC RIBBON LIGHT
HARDWARE DRIVER

MODEL	OUTPUT CURRENT	OUTPUT POWER	OUTPUT VOLTAGE
ULR-IN-HWDR-600W	0~25A	600W	24V

TYPICAL WIRING DIAGRAM:



DERATING CURVE:



STATIC CHARACTERISTICS:

